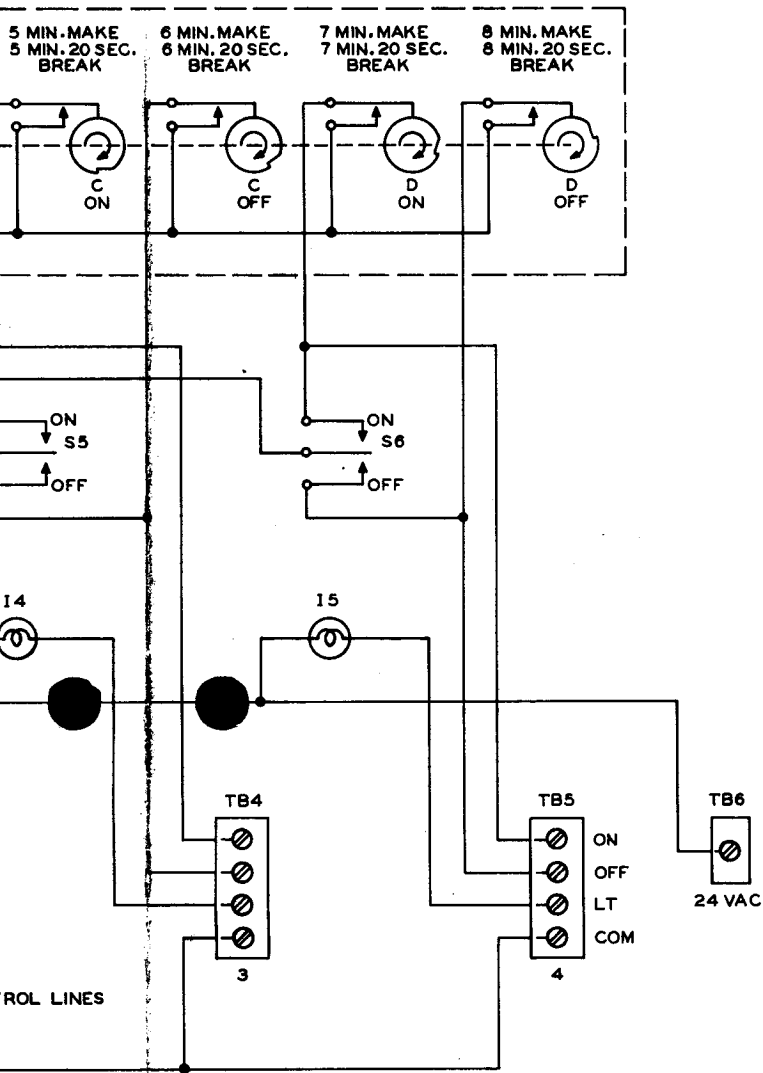


NOTE:
OUTPUT TO LATCH RELAYS
NEC CLASS II WIRING
3.2AMP COMBINED LOAD.

COMMUNICATIONS SYSTEMS SERVICE MANUAL

945 ↓



LIST OF ELECTRICAL PARTS			
LEGEND	DESCRIPTION	QTY	PART NO.
C1	CAPACITOR 40 MFD 250 V	1	199-2022-406
F1	FUSE 3.2 AMP	1	320-017-0320
CRI	RECTIFIER	1	595-44
I1,2,3,4,5	LAMP 28 V .070A #1829	5	456-87
K1	RELAY SPDT 24 VDC	1	596-125
M1	TIMER-CYCLE	1	707-5
R1	RESISTOR 1500 OHM 10W ±5%	1	600-1011-152
S1,2	SWITCH-KEY SPST	2	680-309
S3,4,5,6	SWITCH-TOGGLE 3 POS.	4	680-425
S7	SWITCH-SLIDE	1	680-431
T1	TRANSFORMER-POWER	1	710-4198
TB1	TERMINAL STRIP	1	703-259
TB2,3,4,5	TERMINAL STRIP	4	703-340
TB6	TERMINAL STRIP	1	703-465

04	T1 WAS 710-4198	6-25-64	
03	3.2 AMP WAS 77 VA	9-28-67	
02	CORRECTED TO DATE	2-22-68	
01	456-87 WAS 456-81	11-19-65	
ISSUE	W A S	DATE	APP.

DuKANE Corporation <small>ESTABLISHED 1923 ST. CHARLES, ILLINOIS U.S.A.</small>	SCHEMATIC DIAGRAM MODEL 9A940 & 9A945 UTILITY CONTROL		SCALE _____ DATE 4-17-64
	DRAWN LWS CHECKED _____	APP'D. <i>DF</i> ENGR. _____	NO. 190-1234 ISSUE _____